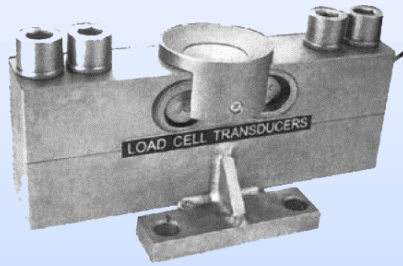
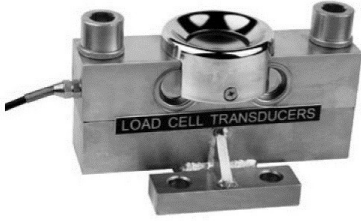


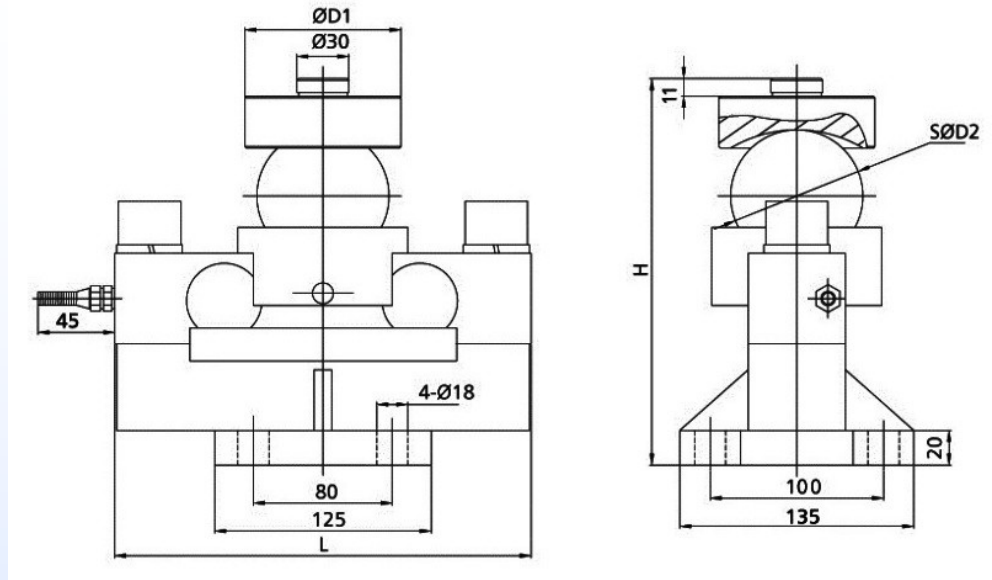
JMT QS-A Load cell

โหลดเซลล์ลูกบอล
สำหรับเครื่องชั่งรถบรรทุก

Cap. 10-40t



Cap. 50t

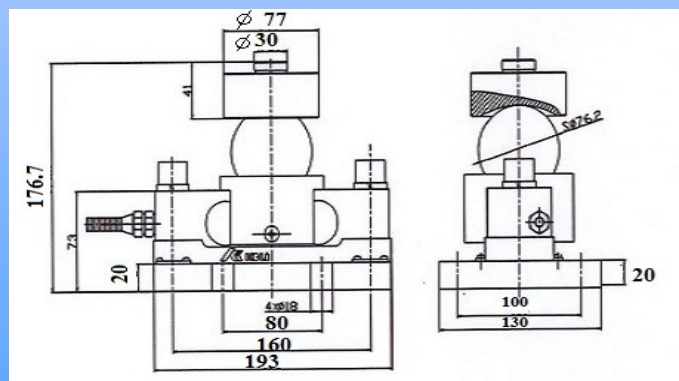
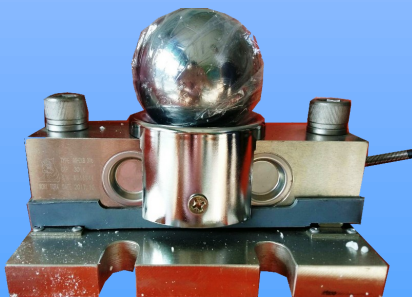


Rate Load (t)	5	10,15,20,25,30	40
D1	68	88	88
D2	50.8	76.2	76.2
H	168.8	224.7	230.7
L	224	240	240

Rate Load : 5,10,15,20,30,40,50t	Operating Temp Range: -30~70°C	Sensitivity: 2.0±0.002mV/V
Safe load limit: 150,120(40-50t)%F.S	Total error: ±0.02%F.S,±0.03%F.S,	Over load limit: 300,200(40-50t)%F.S
Creep (30min): ±0.02% F.S	Recommend excitation: 10~12VDC	Protection Class: IP68
Maximum excitation: 15 VDC	TCO: ±0.02% F.S/10°C	Diameter: φ 6mm
TC SPAN: ±0.02%F.S/10°C	Construction: Alloy Steel	
Cable: 8m(10t),10m(15t),12m(20-30t), 16m(40-50t)	Output resistance: 703±2Ω,	
	Input resistance : 750±10Ω,	

JMT QS-A Mini load cell

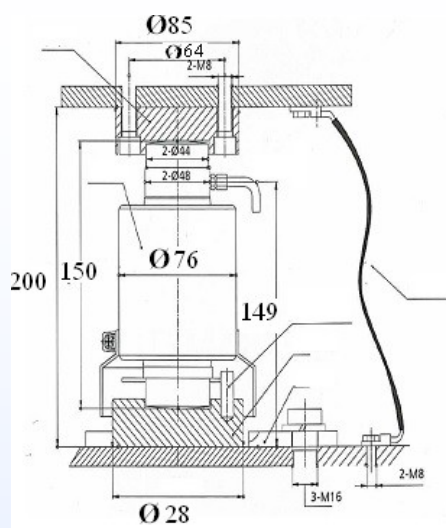
โหลดเซลล์ลูกบอล ขนาดเล็ก
สำหรับเครื่องชั่งรถบรรทุก



Rate Load : 20,30t	Output resistance: 703±2	Protection Class: IP68
Sensitivity: 2.0±0.002m V/V	Insulation resistance: 5000M Ω	Construction: Alloy Steel
Total error: 0.03%F.S	Operating Temp Range: -30~70°C	Cable length: 15m
Creep (30min): 0.02%F.S	Safe load limit: 150%F.S	Diameter: φ 6mm
TCO: ±0.02%F.S/10°C	Over load limit: 300% F.S	
TC SPAN: ±0.02%F.S/10°C	Recommend excitation: 10~12VDC	
Input resistance: 750±10Ω	Maximum excitation: 15 VDC	

JMT ZSF-A Load cell

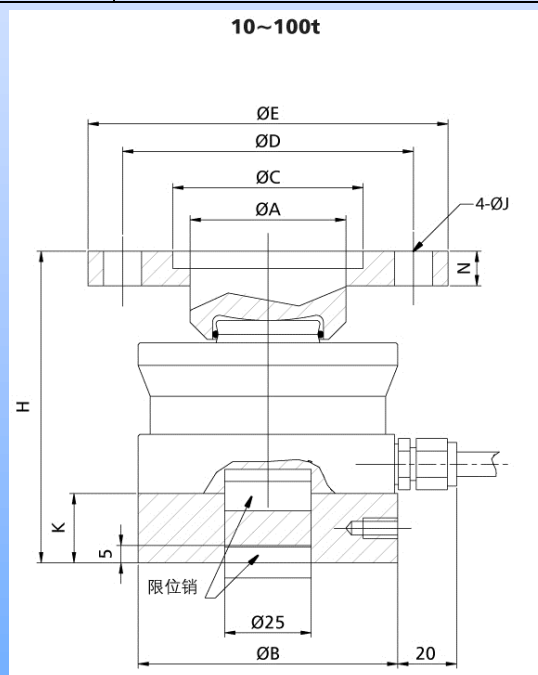
โหลดเซลล์ทรงกระบอก
สำหรับเครื่องชั่งรถบรรทุก
แท็งก์ปูน, เครื่องบรรจุ



Rate Load : 30,40,50t	Operating Temp Range: -30~70°C	Sensitivity: 2.0±0.002mV/V
Safe load limit: 150%F.S	Total error: ±0.02%F.S,±0.03%F.S	Over load limit: 250%F.S
Creep (30min): ±0.02%F.S	Recommend excitation: 10~70	Zero balance: ±1%F.S
Maximum excitation: 15 VDC	TCO: ±0.02%F.S/10°C	Protection Class: IP 68
TC SPAN: ±0.02%F.S/10°C	Construction: Steel, Stainless	Length: 10m (10t) 12m (15~25t)
Cable:	Output resistance: 352±2Ω	Diameter: φ 6mm
Insulation resistance: 5000M Ω	Input resistance: 400±10Ω	

JMT NHS-A Load cell

โหลดเซลล์ทรงแพนเค้ก
สำหรับเครื่องชั่งรถบรรทุก



Rate Load	A	B	C	D	E	H	K	J	N
10~22	45	75	55	80	100	95	20	11.5	10
33	58	95	68	95	120	120	25	13	12
47	80	130	92	130	170	140	30	17.5	20
68	80	130	92	130	170	150	30	17.5	20
100	100	150	110	130	200	200	40	25	22

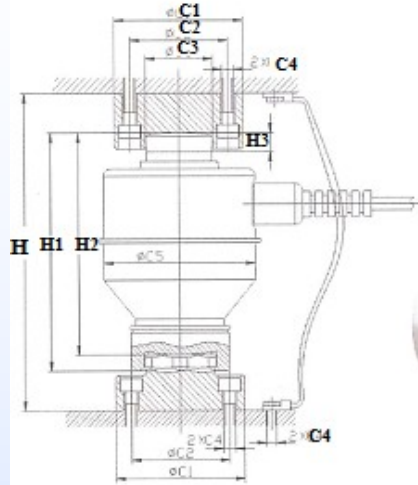
Rate Load : 4.7,10,15,22,33,68t	Operating Temp Range: -30~70°C	Sensitivity: 2.0±0.002mV/V
Safe load limit: 150%F.S	Total error: ±0.02%F.S,±0.03%F.S	Over load limit: 250%F.S
Creep (30min): ±0.02%F.S	Recommend excitation: 10~70	Zero balance: ±1%F.S
Maximum excitation: 15 VDC	TCO: ±0.02%F.S/10°C	Protection Class: IP 68
TC SPAN: ±0.02%F.S/10°C	Construction: Steel, Stainless	Length: 10m (10t) 12m (15~25t)
Cable:	Output resistance: 352±2Ω	Diameter: φ 6mm
Insulation resistance: 5000M Ω	Input resistance: 400±10Ω	

JMT ZSWF-D Load cell

Dimension, Unit: mm

CAPACITY (t)
10,15,20,30,40,50,60

H : 200
H1: 150
H2: 140
H3: 12
C1: 83.5
C2: 64
C3: 43.8
C4: M8
C5: 99



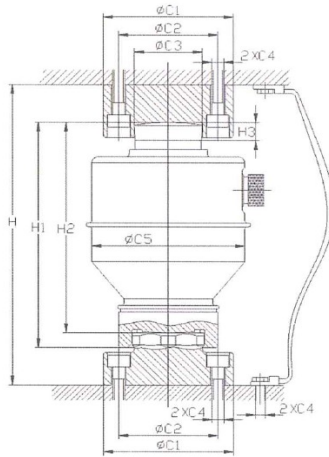
Accuracy: C3	Operating Temp Range: -30~70°C	The max. signal transmission distance : 1200m
Repeatability: 0.01%F.S	Safe Over load limit: 150%F.S	Seal Type: IP68, IP69K
Creep (30min): 0.02%F.S	Rate Excitation: 9~12VDC (20V Max.)	Cable color code: + Excitation Blue -Excitation Black +Signal White -Signal Red
TCO: 0.015%F.S/	Maximum excitation: 15 VDC	
TC SPAN: 0.015%F.S/10°C	Insulation resistance: 5000M Ω (50VDC)	
Data refresh frequency: 10 HZ	Material: Alloy Steel, Stainless steel	
Baud rate: 9600BPS	Communication mode: RS485	

JMT ZSWFB-D Load cell

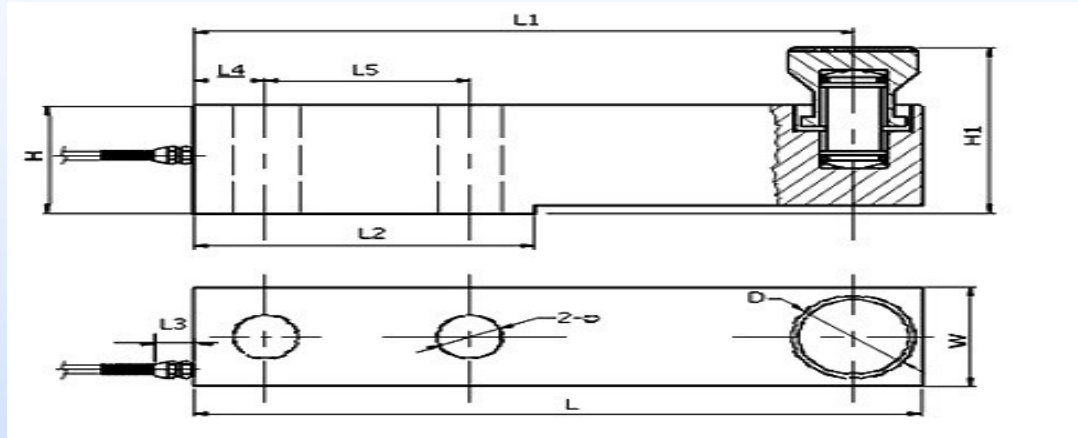
Dimension, Unit: mm

CAPACITY (t)
10,15,20,30,40,50,60

H : 200
H1: 150
H2: 140
H3: 12
C1: 83.5
C2: 64
C3: 43.8
C4: M8
C5: 99

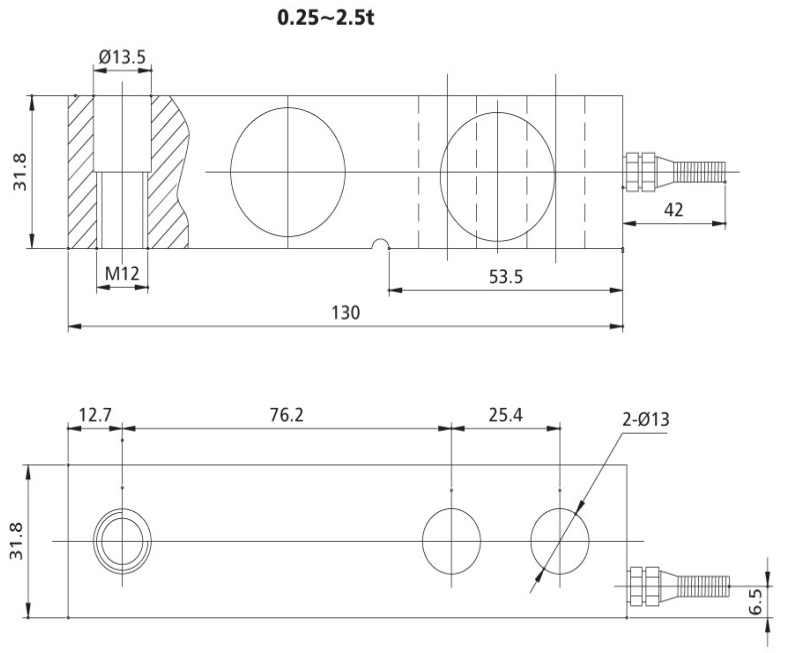


Accuracy: C3	Operating Temp Range: -30~70°C	The max. signal transmission distance : 1200m
Repeatability: 0.01%F.S	Safe Over load limit: 150%F.S	Seal Type: IP68, IP69K
Creep (30min): 0.02%F.S	Rate Excitation: 9~12VDC (20V Max.)	Cable color code: + Excitation Blue -Excitation Black +Signal White -Signal Red
TCO: 0.015%F.S/	Maximum excitation: 15 VDC	
TC SPAN: 0.015%F.S/10°C	Insulation resistance: 5000M Ω (50VDC)	
Data refresh frequency: 10 HZ	Material: Alloy Steel, Stainless steel	
Baud rate: 9600BPS	Communication mode: RS485	

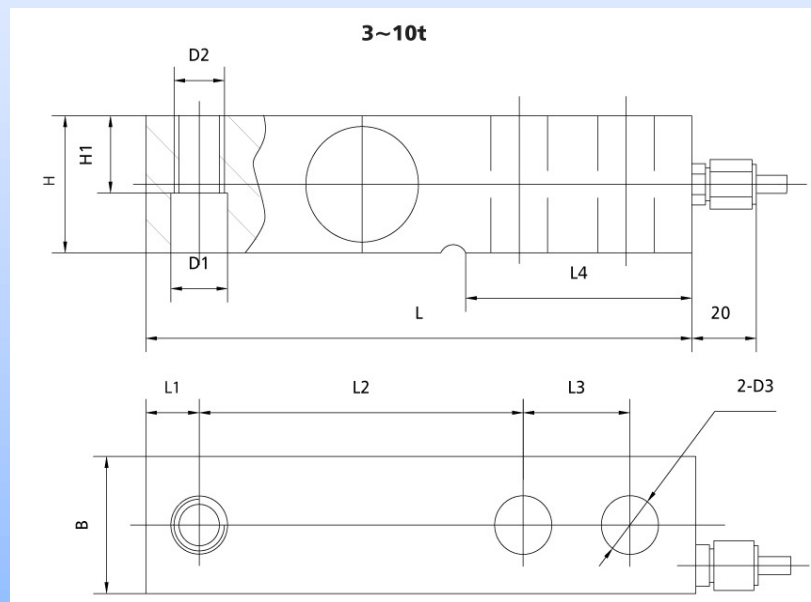


Rate load	L	L1	L2	L3	L4	H1	H2/B	B1	H3	H4	D1	D2	D3
0.5,1,2,3	203	95	64	98	22	43	36.6	7	30.5	8	Ø32	Ø16	Ø13
5,7.5	235	110	66	124	22	52	48	7	30	12	Ø38	Ø22	Ø21
10	279	133	82	140	32	67	60	8.5	20	8.5	Ø48	Ø32	Ø28
15,20,25	318	153	89	159	38	82.5	70	9.5	24	9.5	Ø54	Ø38	Ø34

Rate Load : 0.5,1,2,3,5,10,20t	Operating Temp Range: -30~70°C	Over load limit: 250%F.S
Sensitivity: 2.0±0.002mV/V	Total error: ±0.02%F.S,±0.03%F.S	Zero balance: ±1%F.S
Creep (30min): ±0.02%F.S	Recommend excitation: 10~12VDC	Protection Class: IP 68
Maximum excitation: 15 VDC	Construction: Alloy, Stainless steel	Cable length: 5m (1~4.7t)6mm
TC SPAN: ±0.02%F.S/10°C	Input resistance: 385±5Ω	Diameter:φ 6mm
TCO: ±0.02%F.S/10°C	Output resistance: 352±2Ω	
Insulation resistance: 5000M Ω	Safe load limit: 150%F.S	

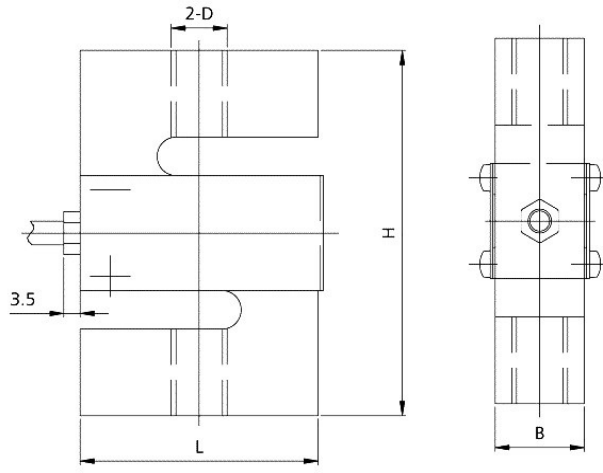


Rate load	3,5t	7.5,10t
L	171.5	225.5
L1	19	25.3
L2	95.3	124
L3	38.1	50.8
L4	72.5	102
H/B	38.1	50.8
H1	26	25.4
D1	Ø20	Ø27
D2	M18x1.5	M24x2
D3	Ø20	Ø27



Rate Load : 0.25,0.5,1,2,2.5,3.5,10t	Operating Temp Range: -30~70°C	Sensitivity: 2.0±0.1% mV/V
Safe load limit: 150%F.S	Total error: ±0.02% F.S,±0.03%F.S	Over load limit: 250%F.S
Creep (30min): ±0.02%F.S	Recommend excitation: 10~12VDC	Zero balance: ±1%F.S
Maximum excitation: 15 VDC	TCO: ±0.02%F.S/10°C	Protection Class: IP 68
TC SPAN: ±0.02%F.S/10°C	Construction: Alloy, Stainless steel	CableLength: 5m (1~4.7t)6mm
	Input resistance: 385±5Ω	Diameter: φ 6mm
Insulation resistance: 5000M Ω	Output resistance: 352±2Ω	

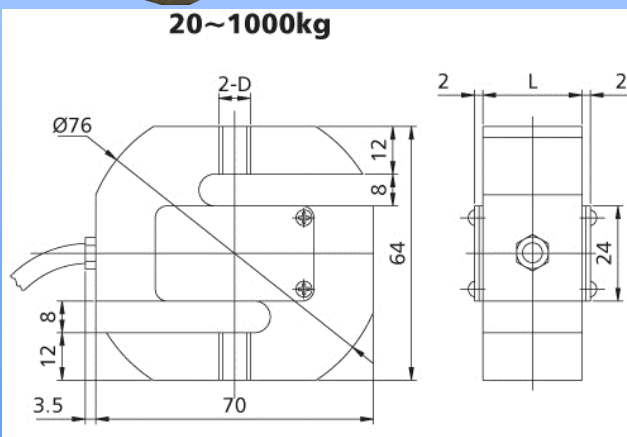
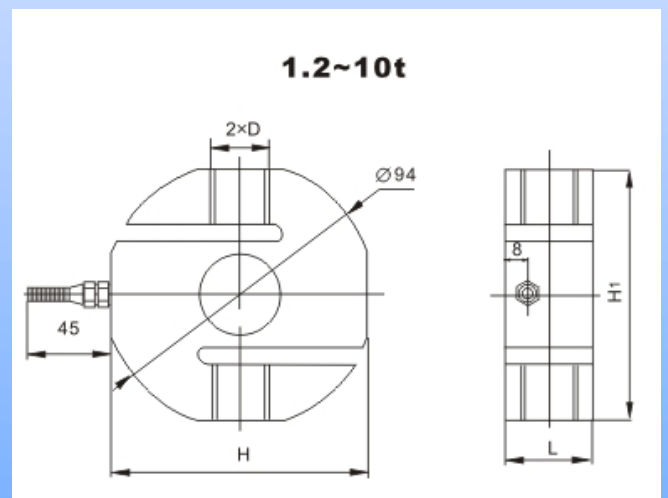
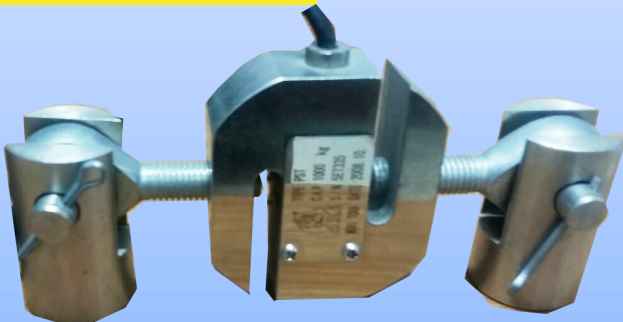
JMT DEE-A load cell



t	D	L	H	B
0.1-0.5	M12	51	76.2	19.1
1	M12	51	76.2	25.4
2-5	M20 x1.5	76.2	100.4	31.8

Rate Load : 100,200,300,500,1000,2000,3000, 5000 kg.	Operating Temp Range: -30~70°C	Over load limit: 200%F.S
Sensitivity: 2.0±0.002mV/V	Total error: ±0.02%F.S,±0.03%F.S	Zero balance: ±1%F.S
Creep (30min): ±0.02%F.S	Recommend excitation: 10~12VDC	Protection Class: IP 67
Maximum excitation: 15 VDC	Construction: Alloy, Stainless steel	IP68 (2000-5000kg)
TC SPAN: ±0.02%F.S/10°C	Input resistance: 400±10Ω	Cable length: 5m
TCO: ±0.02%F.S/10°C	Output resistance: 352±2Ω	Diameter:φ 6mm
Insulation resistance: 5000M Ω	Safe load limit: 120%F.S	

JMT PST load cell

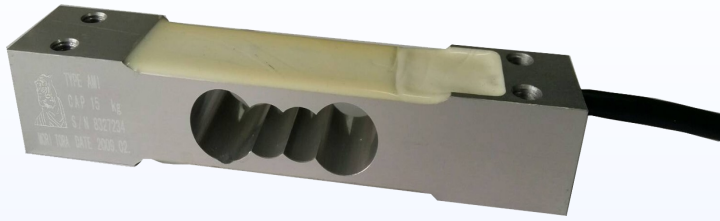


(kg) Rated Load	D	L	(t) Rated Load	D(mm)	L(mm)	H	H1
20~150	M8	12	1.2~5	M20	32	88	90
200~500	M12	20	7.5	M24	40	88	90
700~1000	M12	25	10	M30x2	50	110	110

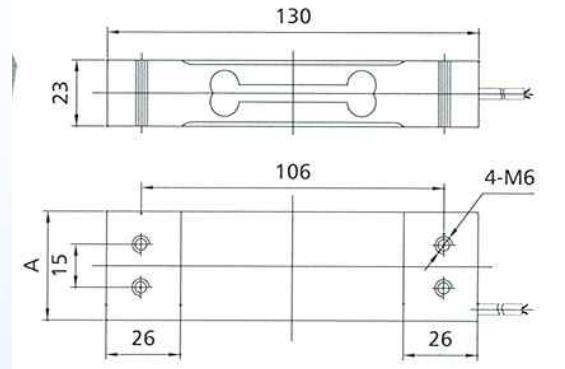
Rate Load : 1t,5t	Input resistance: 750±10Ω	Maximum excitation: 15 VDC
Sensitivity: 1.0±0.01mV/V	Output resistance: 702±5Ω	Protection Class: IP67
Total error: ±0.3%F.S	Diameter:φ 6mm	Construction: Alloy steel
Creep (30min): ±0.05%F.S	Operating Temp Range: -30~70°C	Cable length: 20m
TC SPAN: ±0.05%F.S/10°C	Safe load limit: 120%F.S	Insulation resistance: ≥5000M Ω
TCO: ±0.05%F.S/10°C	Over load limit: 150%F.S	
Zero balance: ±1%F.S	Recommend excitation: 15VDC	

JMT AMI load cell

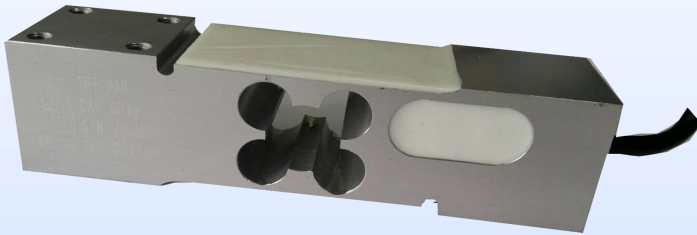
Cap. 6-30kg.



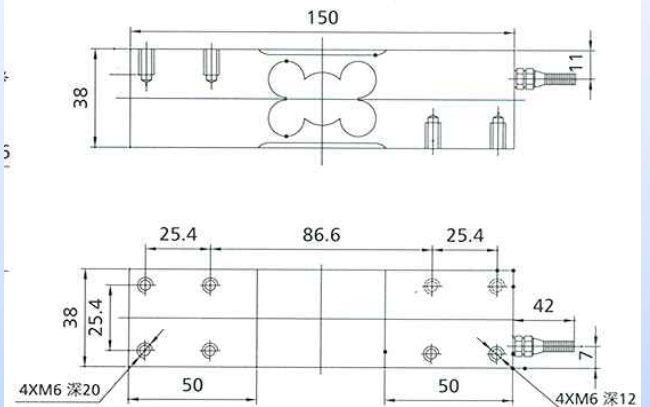
6~30kg



Cap. 50-200kg.



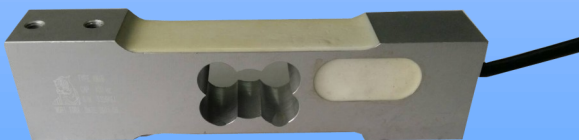
50~200kg



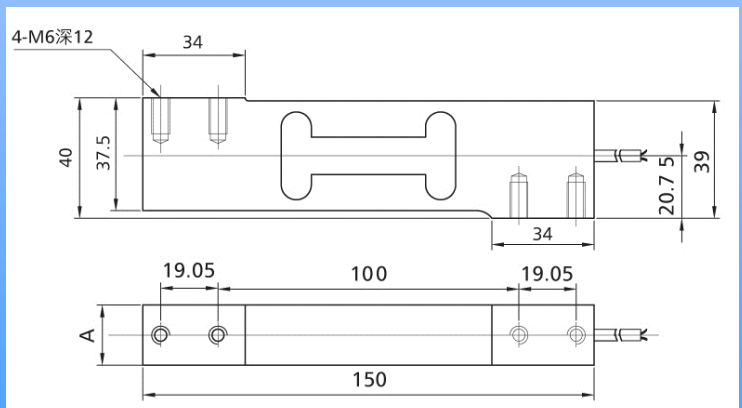
Rate load (kg)	A
6,8,15	30
30	38

Rate Load : 5,6,8,10,15,20,30,50,100,200kg	Operating Temp Range: -30~70°C	Over load limit: 200%F.S
Sensitivity: 1.8±0.002mV/V	Total error: ±0.03%,±0.05%,±0.1%F.S	Zero balance: ±1%F.S
Creep (30min): ±0.03%F.S	Recommend excitation: 10~12VDC	Protection Class: -
Maximum excitation: 15 VDC	Construction: Alloy, Stainless steel	Cable length: 8m
TC SPAN: ±0.02%F.S/10°C	Input resistance: 400±10Ω	Diameter: φ 6mm
TCO: ±0.02%F.S/10°C	Output resistance: 352±2Ω	
Insulation resistance: ≥5000M Ω	Safe load limit: 150%F.S	

JMT AMIB load cell

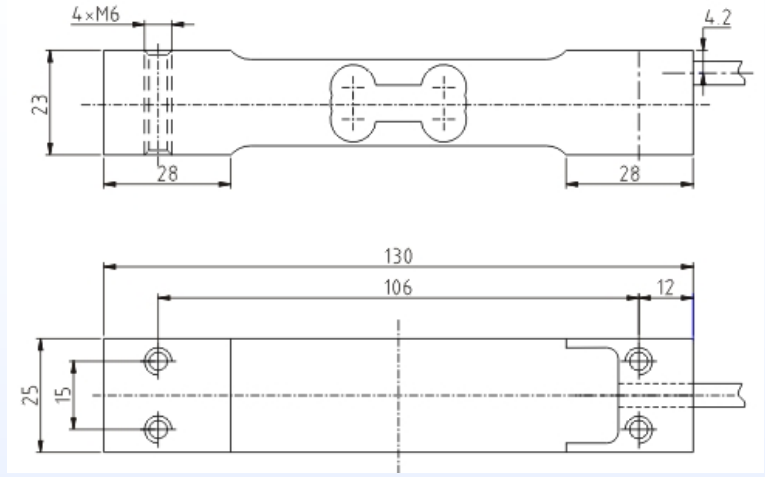
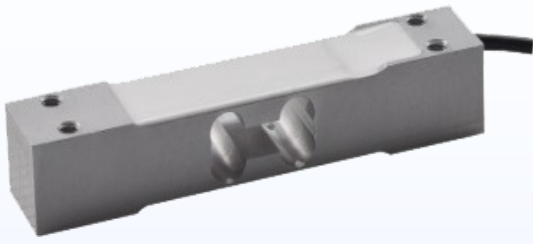


Rate load (kg)	A
10,15,20,30	20
50,100	38



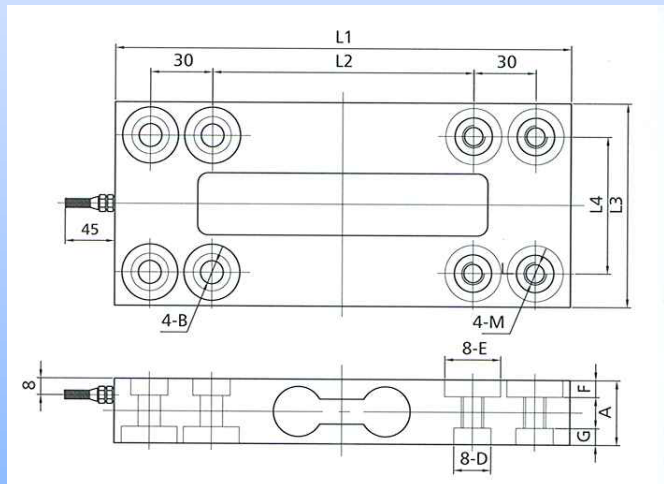
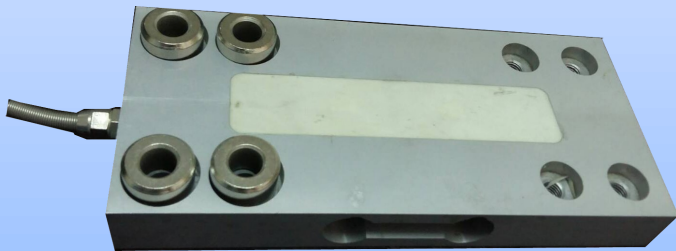
Rate Load : 30,50,100kg	Operating Temp Range: -30~70°C	Over load limit: 200%F.S
Sensitivity: 1.8±0.002mV/V	Total error: ±0.03%,±0.05%,±0.1%F.S	Zero balance: ±1%F.S
Creep (30min): ±0.03%F.S	Recommend excitation: 10~12VDC	Protection Class: -
Maximum excitation: 15 VDC	Construction: Alloy, Stainless steel	Cable length: 8m
TC SPAN: ±0.02%F.S/10°C	Input resistance: 400±10Ω	Diameter: φ 6mm
TCO: ±0.02%F.S/10°C	Output resistance: 352±2Ω	
Insulation resistance: ≥5000M Ω	Safe load limit: 150%F.S	

JMT AMG load cell



Rate Load : 0.5,1,3,5kg	Operating Temp Range: -10~40°C	Accuracy Class:20000d~50000d
Sensitivity: 1.5±0.2mV/V	Total error: ±0.03%,±0.05%,±0.1%F.S	Over load limit: 150%F.S
Creep (30min): ±166ppm	Recommend excitation: 10VDC	Zero balance: ±3%Emax
Maximum excitation: 15 VDC	Construction: Aluminium	Protection Class: IP65
TC SPAN: +20°C ~+40°C,±17.5ppm/°C	Input resistance: 404±15Ω	Cable length: 0.2m
TC ZERO: ±17.5ppm/°C	Output resistance: 350±3Ω	Diameter:φ 5mm
Insulation resistance: ≥2000M Ω	Safe load limit: 150%F.S	

JMT BMI load cell



Kg.

Rate load	50,100	150	300	500	1000,2000
A	25	27	31	36	47
B	Φ 9	Φ 11	Φ 11	Φ 11	Φ 13
M	M8	M10	M10	M10	M12
D	Φ18	Φ18	Φ18	Φ18	Φ22
E	Φ18	Φ27	Φ27	Φ27	Φ27
F	8	8	8	8	10
G	8	8	8	8	10
L1	200	220	220	220	220
L2	110	126	126	126	126
L3	80	98	98	98	98
L4	56	66	66	66	66

Rated Load : 50, 150, 300, 500, 1000kg.

Sensitivity : 1.8 ± 0.002m V/V

Total error : ±0.03, %F.S

Creep(30min): ±0.03%F.S

Zero balance: ±1 %F.S

TCO: ±0.02%F.S/10°C

TC SPAN: ±0.02%F.S/10°C

In put resistance: 400±10 Ω

Output resistance:352 ± 2 Ω Protection Class:IP67

Safe load limit :150% F.S

Recommend excitation : 10~12V DC

Insulation resistance: 5000M Ω

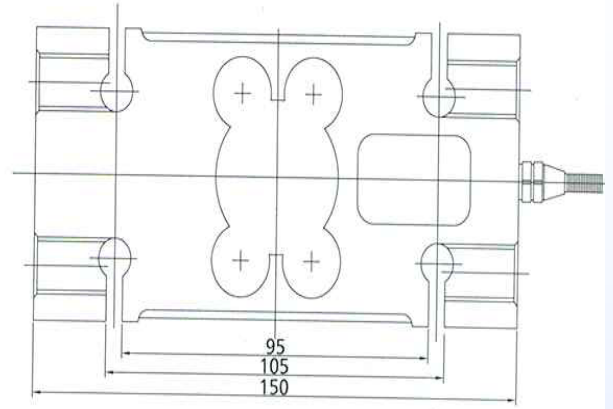
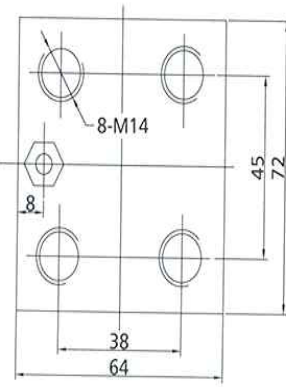
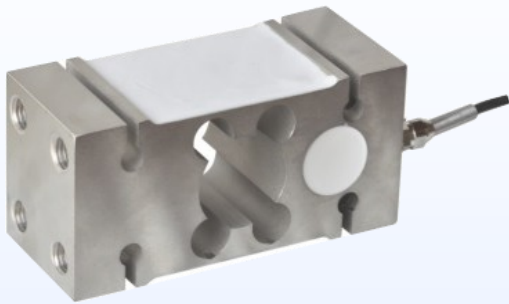
Over load limit :

200 %F.S

Maximum excitation: 15 V DC

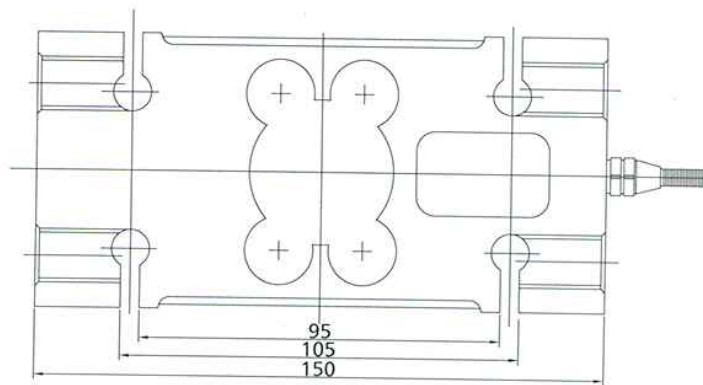
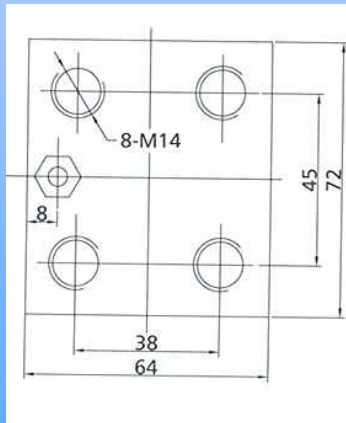
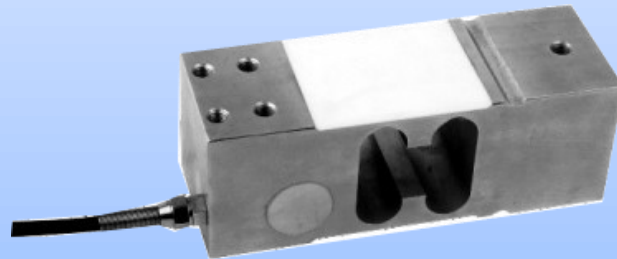
Cable: Length L:8m(1~4.7t)

JMT IL load cell



Rate Load : 150,250kg	Operating Temp Range: -30~70°C	Over load limit: 200%F.S
Sensitivity: 2±0.002mV/V	Total error: ±0.02%,±0.03%F.S	Zero balance: ±1%F.S
Creep (30min): ±0.02%F.S	Recommend excitation: 10~12VDC	Protection Class: IP67,68
Maximum excitation: 15 VDC	Construction: Alloy, Stainless steel	Cable length: 8m
TC SPAN: ±0.02%F.S/10°C	Input resistance: 400±10Ω	Diameter: φ 6mm
TCO: ±0.02%F.S/10°C	Output resistance: 352±2Ω	
Insulation resistance: ≥5000M Ω	Safe load limit: 150%F.S	

JMT ILEB load cell

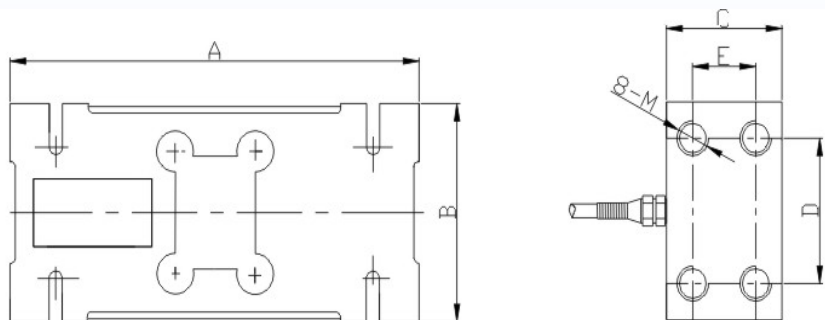


Rate Load : 150,300,500,1000kg	Operating Temp Range: -30~70°C	Over load limit: 200%F.S
Sensitivity: 2±0.002mV/V	Total error: ±0.02%,±0.03%F.S	Zero balance: ±1%F.S
Creep (30min): ±0.02%F.S	Recommend excitation: 10~12VDC	Protection Class: IP67,68
Maximum excitation: 15 VDC	Construction: Alloy, Stainless steel	Cable length: 8m
TC SPAN: ±0.02%F.S/10°C	Input resistance: 400±10Ω	Diameter: φ 6mm
TCO: ±0.02%F.S/10°C	Output resistance: 352±2Ω	
Insulation resistance: ≥5000M Ω	Safe load limit: 150%F.S	

JMT XL load cell



Dimensions:

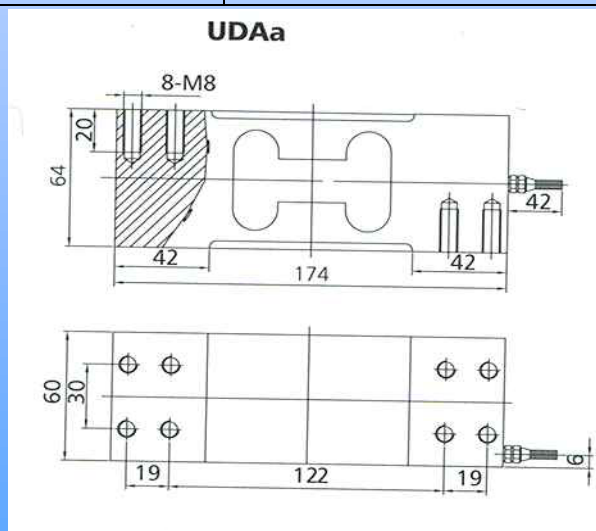
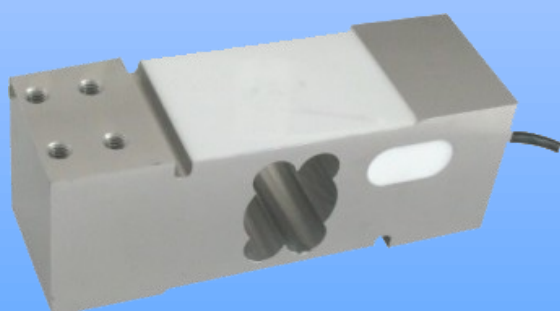


Size: A x B x C (mm) Thread Hole : 8-M

Ca. / Size	50~200kg	250~500kg	750~2500kg.
A	156	146	176
B	75	95	125
C	44	60	76.20
D	50	70	95
E	24	36	46
M	M12	M12	M16

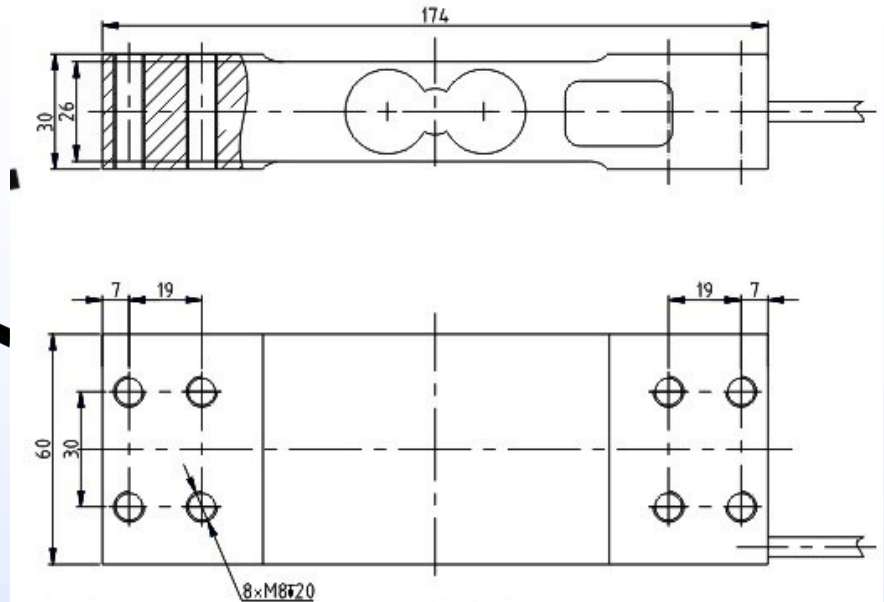
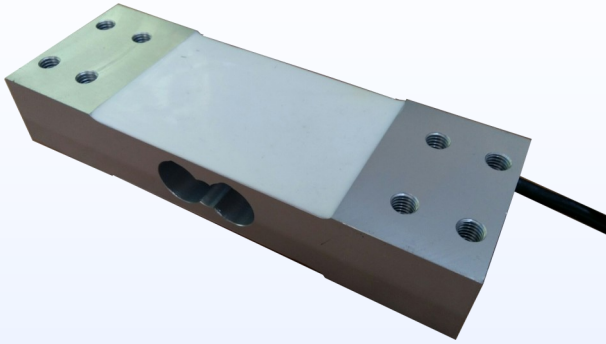
Rate Load : 500,750,1000,2000kg	Operating Temp Range: -30~70°C	Over load limit: 200%F.S
Sensitivity: 2±0.002mV/V	Total error: ±0.02%,±0.03%F.S	Zero balance: ±1%F.S
Creep (30min): ±0.02%F.S	Recommend excitation: 10~12VDC	Protection Class: IP67,68
Maximum excitation: 15 VDC	Construction: Alloy, Stainless steel	Cable length: 8m
TC SPAN: ±0.02%F.S/10°C	Input resistance: 400±10Ω	Diameter: φ 6mm
TCO: ±0.02%F.S/10°C	Output resistance: 352±2Ω	
Insulation resistance: ≥5000M Ω	Safe load limit: 150%F.S	

JMT UDA load cell



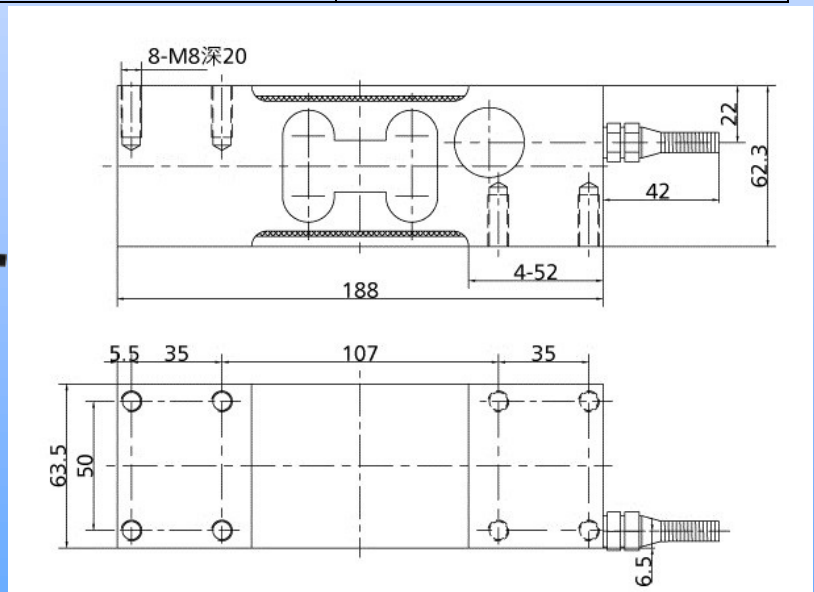
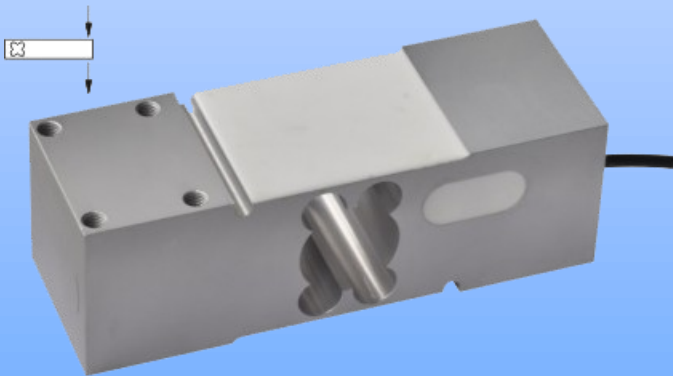
Rate Load : 50,100,150,200,300,500,800kg	Operating Temp Range: -30~70°C	Over load limit: 200%F.S
Sensitivity: 1.8±0.002mV/V	Total error: ±0.03%F.S	Zero balance: ±1%F.S
Creep (30min): ±0.03%F.S	Recommend excitation: 10~12VDC	Protection Class: IP67
Maximum excitation: 15 VDC	Construction: Aluminium	Cable length: 2m
TC SPAN: ±0.02%F.S/10°C	Input resistance: 400±10Ω	Diameter: φ 5mm
TCO: ±0.02%F.S/10°C	Output resistance: 352±2Ω	
Insulation resistance: ≥5000M Ω	Safe load limit: 150%F.S	

JMT UDAE load cell



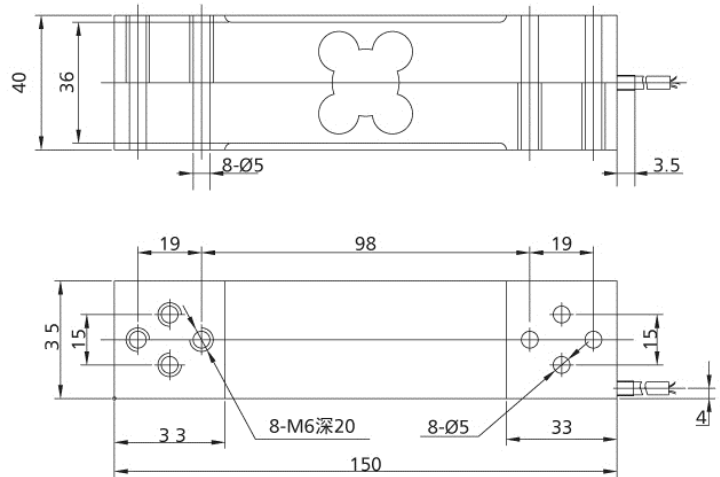
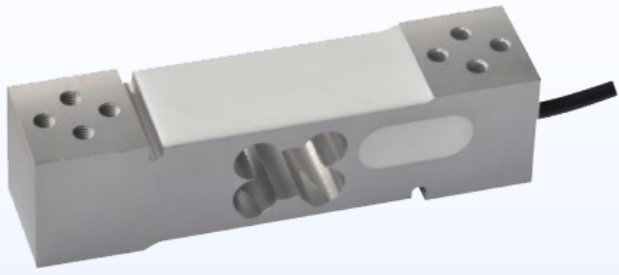
Rate Load : 300kg.	Operating Temp Range: -20~+50°C	Over load limit: 300%F.S
Sensitivity: 2.0±0.2mV/V	Total error: ±0.03%F.S	Zero balance: ±3%Emax
Creep (30min): ±166ppm	Recommend excitation: 10VDC	Protection Class: IP65
Maximum excitation: 15 VDC	Construction: Aluminium	Cable length: 1.8m
TC SPAN: ±20°C ~40°C,±17.5ppm/°C -10°C ~20°C,±11.67ppm/°C	Input resistance: 404±15Ω	
TCO: 17.5ppm/°C	Output resistance: 350±3Ω	
Insulation resistance: ≥5000M Ω	Safe load limit: 150%F.S	

JMT UDJ load cell



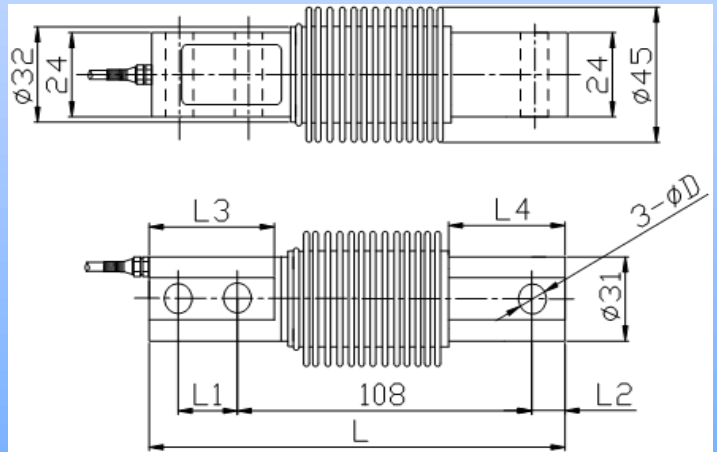
Rate Load : 75,100,150,200,300kg	Operating Temp Range: -30~70°C	Over load limit: 200%F.S
Sensitivity: 2.0±0.005mV/V	Total error: ±0.03%F.S	Zero balance: ±1%F.S
Creep (30min): ±0.03%F.S	Recommend excitation: 10~12VDC	Protection Class: IP66
Maximum excitation: 15 VDC	Construction: Aluminium	Cable length: 2m
TC SPAN: ±0.02%F.S/10°C	Input resistance: 400±10Ω	Diameter: φ 5mm
TCO: ±0.02%F.S/10°C	Output resistance: 352±2Ω	
Insulation resistance: ≥5000M Ω	Safe load limit: 150%F.S	

JMT UDB load cell



Rate Load : 15,30,50,100,200,300,400kg	Input resistance: 400±10Ω	Maximum excitation: 15 VDC
Sensitivity: 1.8±0.002mV/V	Output resistance: 352±2Ω	Protection Class: IP67
Total error: ±0.03%F.S	Diameter: φ 5mm	Construction: Aluminium
Creep (30min): ±0.03%F.S	Operating Temp Range: -30~70°C	Cable length: 2m
TC SPAN: ±0.02%F.S/10°C	Safe load limit: 150%F.S	Insulation resistance: ≥5000M Ω
TCO: ±0.02%F.S/10°C	Over load limit: 200%F.S	
Zero balance: ±1%F.S	Recommend excitation: 10~12VDC	

JMT HSX load cell

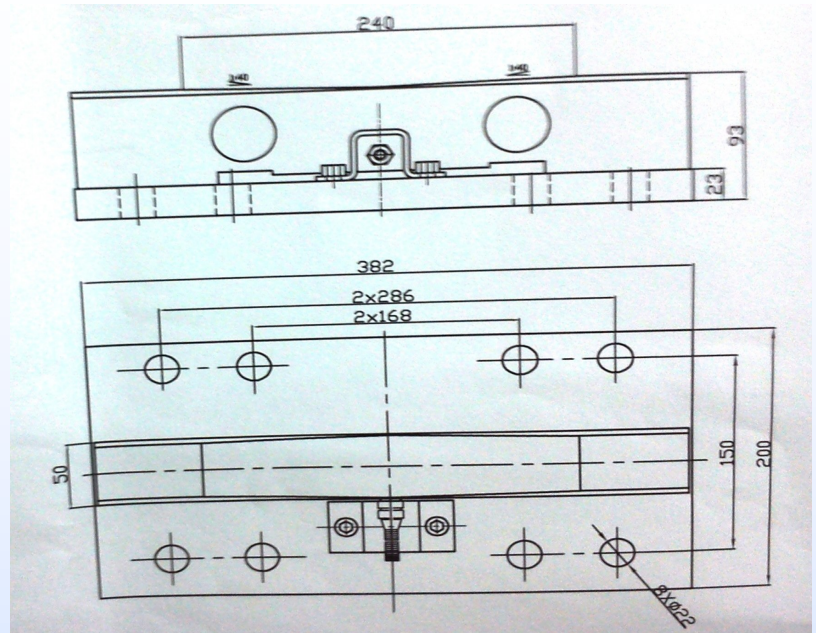
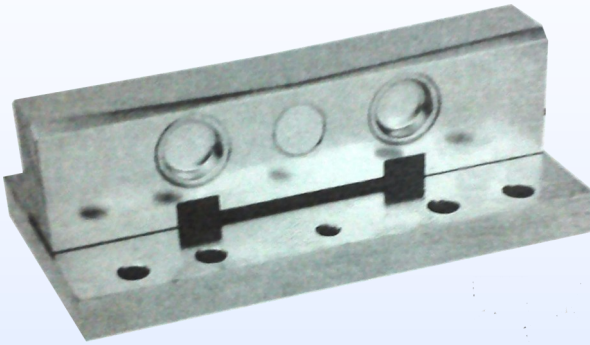


Rate load (Kg)	D
5,10,20,30,40,50,75	Φ8.2
100,150,200,250	Φ 8.2
300,500	Φ 10.2

Rate Load : 20,100,500kg	Input resistance: 400±10Ω	Maximum excitation: 15 VDC
Sensitivity: 2.0±0.002mV/V	Output resistance: 352±2Ω	Protection Class: IP68
Total error: ±0.02,±0.03%F.S	Diameter: φ 5mm	Construction: Aluminium
Creep (30min): ±0.02%F.S	Operating Temp Range: -30~70°C	Cable length: 5m
TC SPAN: ±0.02%F.S/10°C	Safe load limit: 150%F.S	Insulation resistance: 5000M Ω
TCO: ±0.02%F.S/10°C	Over load limit: 200%F.S	
Zero balance: ±1%F.S	Recommend excitation: 10~12VDC	

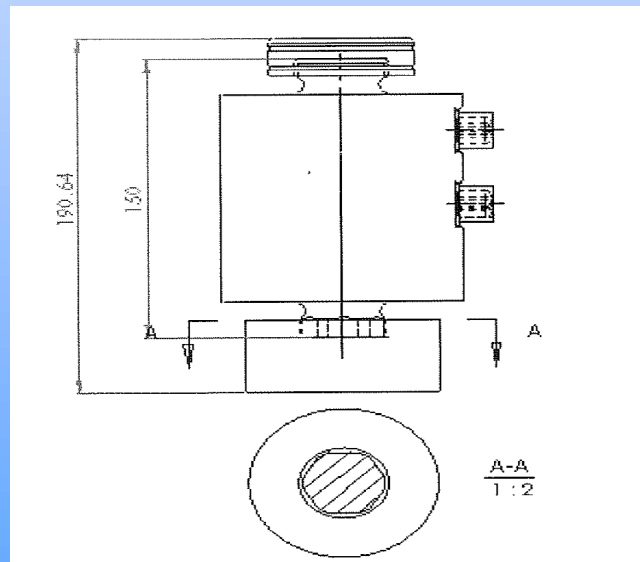
JMT GGA load cell

โหลดเซลล์ แรงกดไฟ

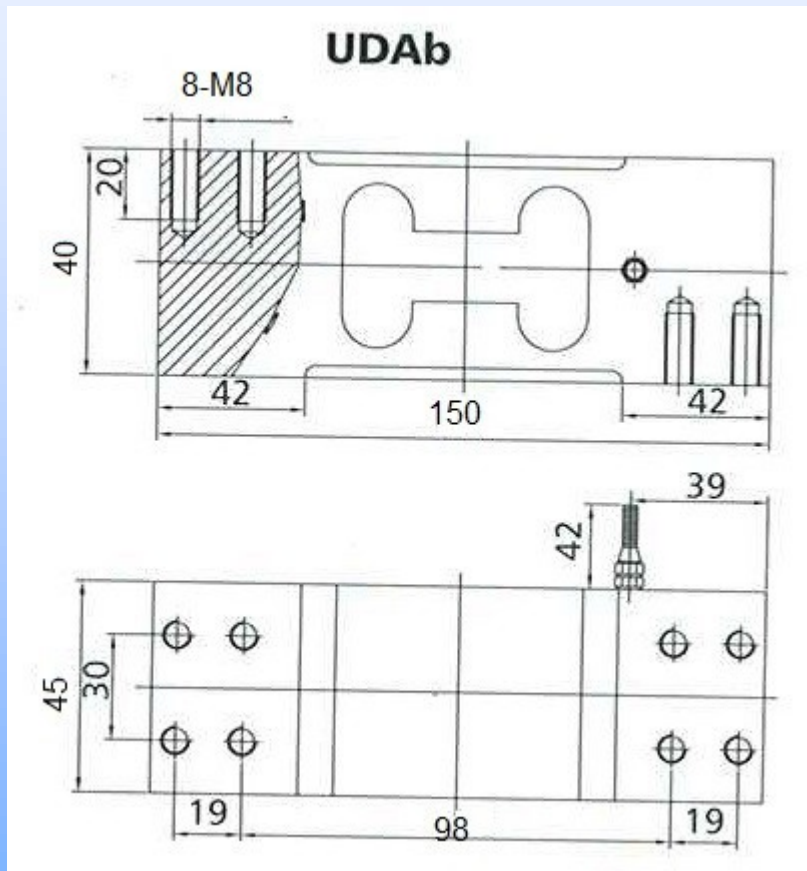
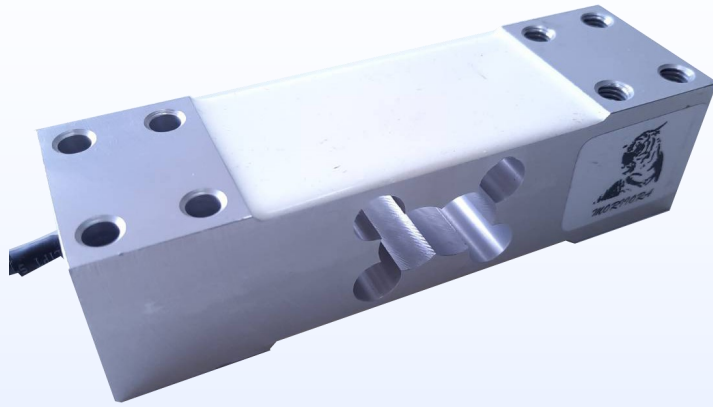


Rate Load : 2,5,10t	Input resistance: 750±10Ω	Maximum excitation: 15 VDC
Sensitivity: 1.0±0.01mV/V	Output resistance: 702±5Ω	Protection Class: IP67
Total error: ±0.3%F.S	Diameter: φ 6mm	Construction: Alloy steel
Creep (30min): ±0.05%F.S	Operating Temp Range: -30~70°C	Cable length: 20m
TC SPAN: ±0.05%F.S/10°C	Safe load limit: 120%F.S	Insulation resistance: ≥5000M Ω
TCO: ±0.05%F.S/10°C	Over load limit: 150%F.S	
Zero balance: ±1%F.S	Recommend excitation: 15VDC	

JMT G002D load cell



Rate load: 30,50t	Zero Balance: ±1% F.S	Recommend Excitation Voltage: 10~12VDC
Rate output: 1000000	Temp. Effect on Zero: ±0.017% F.S/10°C	Sealing class: IP67/ IP68
Baud rate: 9600BPS	Temp. Effect on Span: ±0.017% F.S/10°C	Maximum excitation: 15 VDC
Measuring Rate: 80/sec	Insulation resistance: ≥5000M Ω	Material: Alloy Steel, Stainless steel
Communication mode: RS485	Operating Temp Range: -30~70°C	Cable: Length 18m
Combined Error: ±0.03% F.S	Safe Over load limit: 150%F.S	Citation: GB/T7551-2008/OIML R60
Creep (30min): 0.02%F.S	Ultimate Over load :250%F.S	+Excitation Blue -Excitation Black +Signal White -Signal Red



Rate Load : 60,300kg	Operating Temp Range: -20~60°C	Over load limit: 200%F.S
Sensitivity: 2.0mV/V±5%	Total error: ±0.017%F.S	Zero balance: ±0.0200mV/V
Creep (30min): ±0.017%F.S	Recommend excitation: 5~12VDC	Protection Class: IP65
Maximum excitation: 15 VDC	Construction: Aluminium	Cable length: 2m
TC SPAN: ±0.02%F.S/10°C	Input resistance: 410±15Ω	Diameter:φ 5mm
TCO: ±0.02%F.S/10°C	Output resistance: 350±5Ω	
Insulation resistance: ≥5000M Ω	Safe load limit: 150%F.S	